

Project 3

Size : 25*50M

Heght : 5 m installation

wall and ceiling color : white

ColorTemp:4893k

Emin/Eav:0.558

Ra:83.7

Partner for Contact:

Order No.:

Company:

Customer No.:

Date: 13.04.2016

Operator: cecily

Project 3



DIALux

13.04.2016

Shenzhen Sun-Light Technology Co.,Ltd

Address: No.2,2/F, Block D,No.3,Row 5, Xinqiao Third Industrial Area,
Shajing, Baoan District, Shenzhen, China

Operator cecily
Telephone +86-18676748954
Fax 0755-33928435
e-Mail sales2@sun-lightled.com

Table of contents

Project 3

| | |
|--|----|
| Project Cover | 1 |
| Table of contents | 2 |
| Luminaire parts list | 3 |
| Shenzhen Sun-Light Technology Co., Ltd. HC-150 HC-150 | |
| Luminaire Data Sheet | 4 |
| HC-150 | |
| Luminance Diagram | 5 |
| Room 1 | |
| Summary | 6 |
| Input Protocol | 7 |
| Luminaire parts list | 8 |
| Photometric Results | 9 |
| 3D Rendering | 10 |
| False Color Rendering | 11 |

Project 3



Shenzhen Sun-Light Technology Co.,Ltd

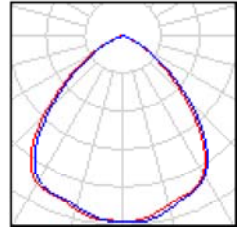
Address: No.2,2/F, Block D,No.3,Row 5, Xinqiao Third Industrial Area,
Shajing, Baoan District, Shenzhen, China

Operator cecily
Telephone +86-18676748954
Fax 0755-33928435
e-Mail sales2@sun-lightled.com

Project 3 / Luminaire parts list

24 Pieces Shenzhen Sun-Light Technology Co., Ltd. HC-150 HC-150
Article No.: HC-150
Luminaire Luminous Flux: 19642 lm
Luminaire Wattage: 152.2 W
Luminaire classification according to CIE: 99
CIE flux code: 67 95 99 99 100
Fitting: 1 x HC-150 (Correction Factor 1.000).

See our luminaire catalog for an image of the luminaire.





Shenzhen Sun-Light Technology Co.,Ltd

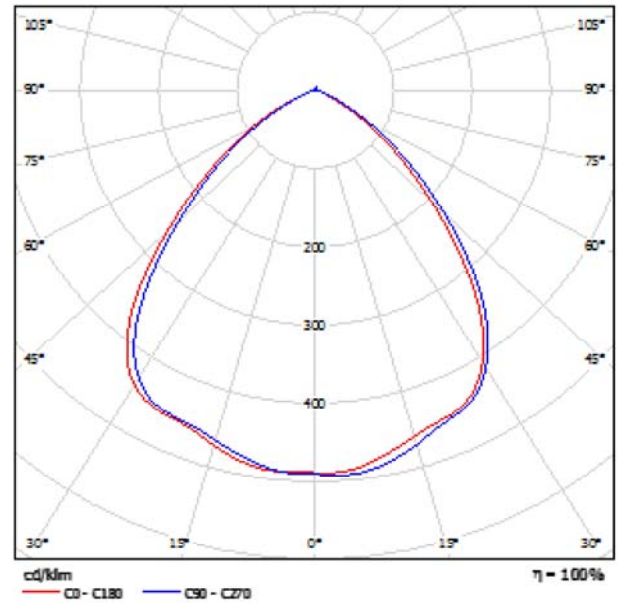
Address: No.2,2/F, Block D,No.3,Row 5, Xinqiao Third Industrial Area,
Shajing, Baoan District, Shenzhen, China

Operator cecily
Telephone +86-18676748954
Fax 0755-33928435
e-Mail sales2@sun-lightled.com

Shenzhen Sun-Light Technology Co., Ltd. HC-150 HC-150 / Luminaire Data Sheet

Luminous emittance 1:

See our luminaire catalog for an image of the luminaire.



Luminaire classification according to CIE: 99
CIE flux code: 67 95 99 99 100

Due to missing symmetry properties, no UGR table can be displayed for this luminaire.



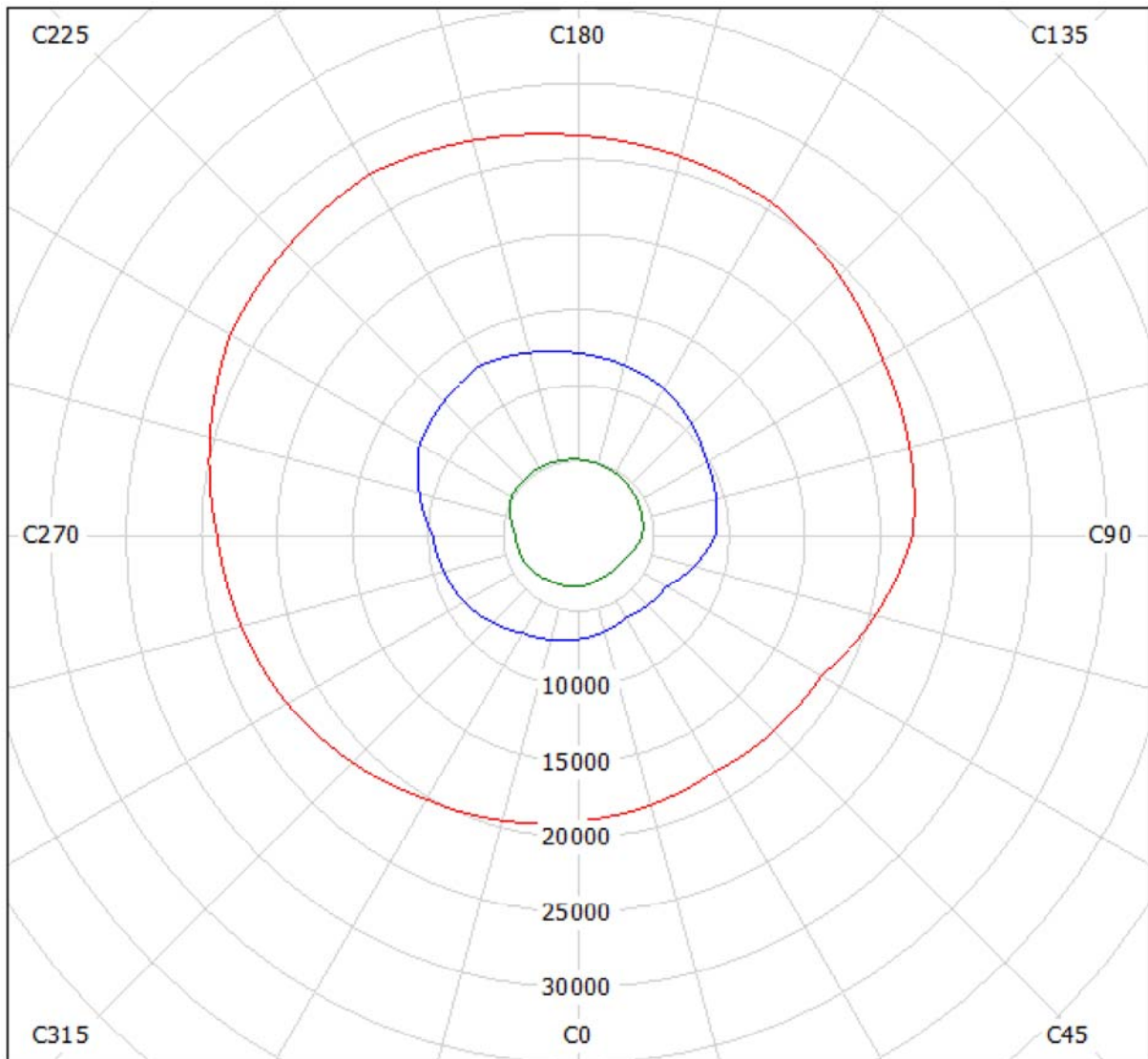
Shenzhen Sun-Light Technology Co.,Ltd

Address: No.2,2/F, Block D,No.3,Row 5, Xinqiao Third Industrial Area,
Shajing, Baoan District, Shenzhen, China

Operator cecily
Telephone +86-18676748954
Fax 0755-33928435
e-Mail sales2@sun-lightled.com

Shenzhen Sun-Light Technology Co., Ltd. HC-150 HC-150 / Luminance Diagram

Luminaire: Shenzhen Sun-Light Technology Co., Ltd. HC-150 HC-150
Lamps: 1 x HC-150



cd/m²

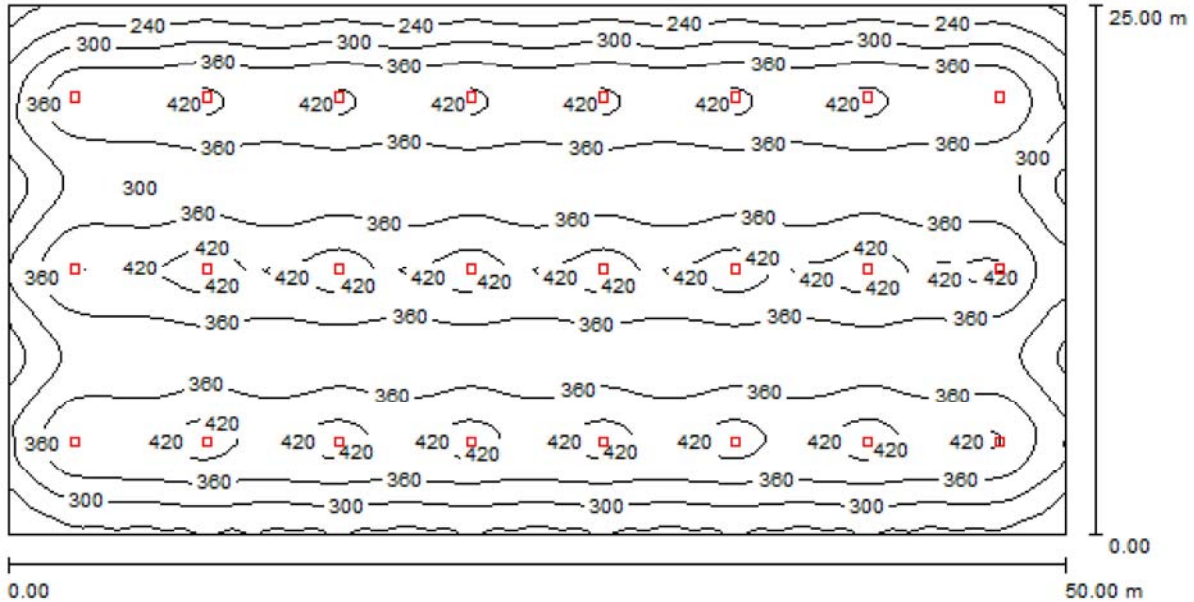
— g = 55.0° — g = 65.0° — g = 75.0°

Shenzhen Sun-Light Technology Co.,Ltd

Operator cecily
 Telephone +86-18676748954
 Fax 0755-33928435
 e-Mail sales2@sun-lightled.com

Address: No.2,2/F, Block D,No.3,Row 5, Xinqiao Third Industrial Area,
 Shajing, Baoan District, Shenzhen, China

Room 1 / Summary



Height of Room: 5.000 m, Mounting Height: 5.950 m, Light loss factor: 0.80

Values in Lux, Scale 1:358

| Surface | ρ [%] | E_{av} [lx] | E_{min} [lx] | E_{max} [lx] | $u0$ |
|-----------|------------|---------------|----------------|----------------|-------|
| Workplane | / | 349 | 160 | 447 | 0.459 |
| Floor | 20 | 344 | 177 | 407 | 0.515 |
| Ceiling | 90 | 81 | 69 | 129 | 0.854 |
| Walls (4) | 85 | 142 | 83 | 236 | / |

Workplane:

Height: 0.800 m
 Grid: 128 x 64 Points
 Boundary Zone: 0.000 m

Luminaire Parts List

| No. | Pieces | Designation (Correction Factor) | Φ [lm] | P [W] |
|--------|--------|---|-------------|--------|
| 1 | 24 | Shenzhen Sun-Light Technology Co., Ltd. HC-150 HC-150 (1.000) | 19642 | 152.2 |
| Total: | | | 471403 | 3652.8 |

Specific connected load: $2.92 \text{ W/m}^2 = 0.84 \text{ W/m}^2/100 \text{ lx}$ (Ground area: 1250.00 m^2)



Shenzhen Sun-Light Technology Co.,Ltd

Address: No.2,2/F, Block D,No.3,Row 5, Xinqiao Third Industrial Area,
Shajing, Baoan District, Shenzhen, China

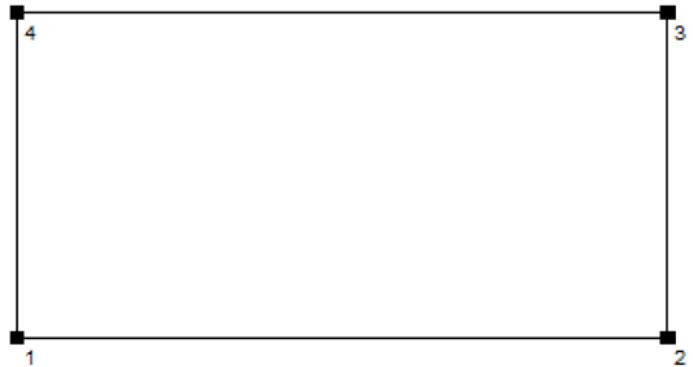
Operator cecily
Telephone +86-18676748954
Fax 0755-33928435
e-Mail sales2@sun-lightled.com

Room 1 / Input Protocol

Height of working plane: 0.800 m
Boundary Zone: 0.000 m

Light loss factor: 0.80

Height of Room: 5.000 m
Ground area: 1250.00 m²



| Surface | Rho [%] | from ([m] [m]) | towards ([m] [m]) | Length [m] |
|---------|---------|---------------------|-----------------------|------------|
| Floor | 20 | / | / | / |
| Ceiling | 90 | / | / | / |
| Wall 1 | 85 | (0.000 0.000) | (50.000 0.000) | 50.000 |
| Wall 2 | 85 | (50.000 0.000) | (50.000 25.000) | 25.000 |
| Wall 3 | 85 | (50.000 25.000) | (0.000 25.000) | 50.000 |
| Wall 4 | 85 | (0.000 25.000) | (0.000 0.000) | 25.000 |

Project 3



DIALux

13.04.2016

Shenzhen Sun-Light Technology Co.,Ltd

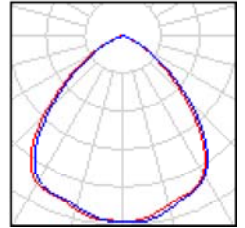
Address: No.2,2/F, Block D,No.3,Row 5, Xinqiao Third Industrial Area,
Shajing, Baoan District, Shenzhen, China

Operator cecily
Telephone +86-18676748954
Fax 0755-33928435
e-Mail sales2@sun-lightled.com

Room 1 / Luminaire parts list

24 Pieces Shenzhen Sun-Light Technology Co., Ltd. HC-150 HC-150
Article No.: HC-150
Luminaire Luminous Flux: 19642 lm
Luminaire Wattage: 152.2 W
Luminaire classification according to CIE: 99
CIE flux code: 67 95 99 99 100
Fitting: 1 x HC-150 (Correction Factor 1.000).

See our luminaire catalog for an image of the luminaire.





Shenzhen Sun-Light Technology Co.,Ltd

Address: No.2,2/F, Block D,No.3,Row 5, Xinqiao Third Industrial Area,
Shajing, Baoan District, Shenzhen, China

Operator cecily
Telephone +86-18676748954
Fax 0755-33928435
e-Mail sales2@sun-lightled.com

Room 1 / Photometric Results

Total Luminous Flux: 471403 lm
Total Load: 3652.8 W
Light loss factor: 0.80
Boundary Zone: 0.000 m

| Surface | Average illuminances [lx] | | | Reflection factor [%] | Average luminance [cd/m ²] |
|-----------|---------------------------|----------|-------|-----------------------|--|
| | direct | indirect | total | | |
| Workplane | 268 | 81 | 349 | / | / |
| Floor | 259 | 85 | 344 | 20 | 22 |
| Ceiling | 0.00 | 81 | 81 | 90 | 23 |
| Wall 1 | 65 | 80 | 145 | 85 | 39 |
| Wall 2 | 76 | 81 | 157 | 85 | 42 |
| Wall 3 | 50 | 79 | 129 | 85 | 35 |
| Wall 4 | 70 | 80 | 149 | 85 | 40 |

Uniformity on the working plane

u₀: 0.459 (1:2)

E_{min} / E_{max}: 0.359 (1:3)

Specific connected load: 2.92 W/m² = 0.84 W/m²/100 lx (Ground area: 1250.00 m²)

Project 3



DIALux

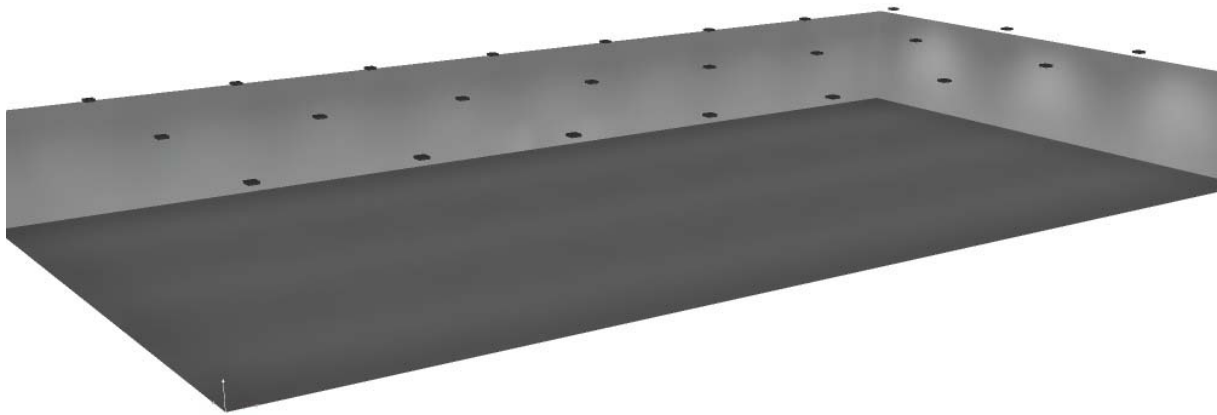
13.04.2016

Shenzhen Sun-Light Technology Co.,Ltd

Address: No.2,2/F, Block D,No.3,Row 5, Xinqiao Third Industrial Area,
Shajing, Baoan District, Shenzhen, China

Operator cecily
Telephone +86-18676748954
Fax 0755-33928435
e-Mail sales2@sun-lightled.com

Room 1 / 3D Rendering



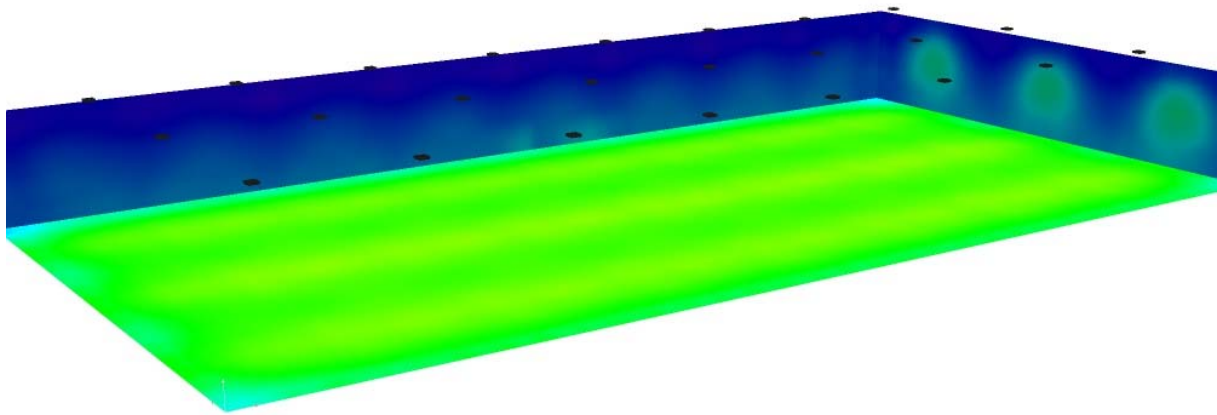


Shenzhen Sun-Light Technology Co.,Ltd

Address: No.2,2/F, Block D,No.3,Row 5, Xinqiao Third Industrial Area,
Shajing, Baoan District, Shenzhen, China

Operator cecily
Telephone +86-18676748954
Fax 0755-33928435
e-Mail sales2@sun-lightled.com

Room 1 / False Color Rendering



10 50 100 200 300 500 800 1000 1500

lx